



# SERIES 1.0/2.3, INSERTS ACCORDING TO DIN 41626/2

## DESCRIPTION

HUBER+SUHNER Coaxial "Inserts" 1.0/2.3 are suitable for the insertion of mixed layout connectors DIN 41612 (pattern M). These inserts feature a slide-on coupling mechanism, which ensures a short connect-disconnect time. Impedance accuracy, fast and easy assembly as well as high reproducibility due to the full crimp cable entry are typical characteristics of these H+S connectors. The 1.0/2.3 inserts are suitable for applications up to 4 GHz.

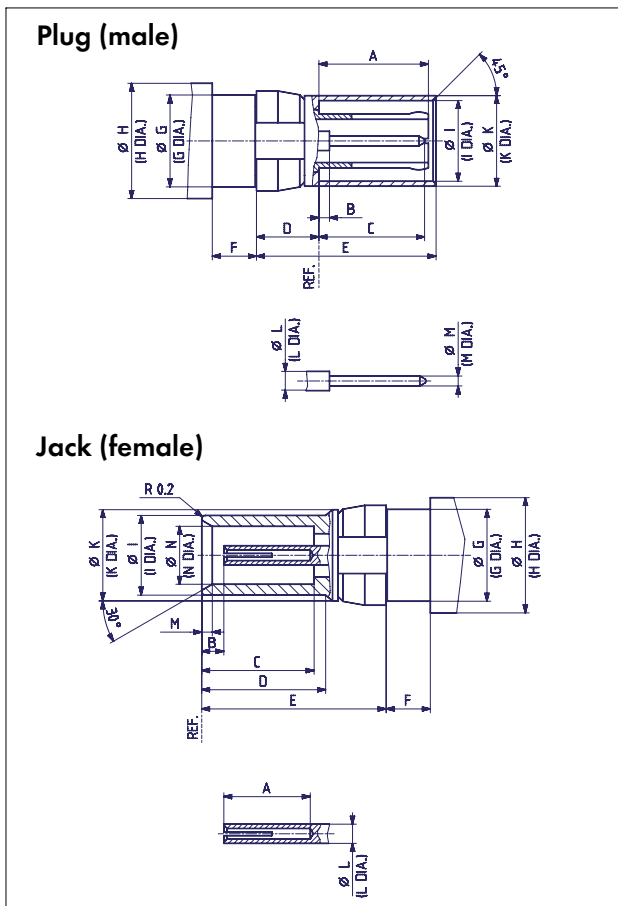
## CONTENTS

## PAGE

Description . . . . .	153
Interface dimensions . . . . .	153
Interface dimensions in mm / inches . . . . .	153
Technical data . . . . .	154
Cable connectors . . . . .	154
PCB connectors . . . . .	156

## INTERFACE DIMENSIONS

## INTERFACE DIMENSIONS (MM / INCHES)



	Plug		Jack	
	min.	max.	min.	max.
A	5.40/.213	5.70/.224	4.50/.177	–
B	–	1.15/.045	1.15/.045	1.45/.057
C	5.20/.205	5.50/.217	5.80/.228	5.90/.232
D	3.05/.120	3.20/.126	6.40/.252	6.50/.256
E	9.25/.364	9.35/.368	9.50/.374	9.60/.378
F	2.22/.087	2.40/.094	2.22/.087	2.40/.094
G	4.76/.187	4.79/.189	4.76/.187	4.79/.189
H	–	6.00/.236	–	6.00/.236
I	4.20/.165	4.28/.169	4.03/.159	4.15/.163
K	4.66/.183	4.78/.188	4.72/.186	4.75/.187
L	1.00/.039 nom.		1.00/.039 nom.	
M	0.48/.019	0.52/.020	0.50/.020	0.60/.024
N	–	–	3.00/.118	3.06/.120

**Interface dimensions conformable to the Standards:**

Germany: DIN 41626/2

**IP rating (interface, mated) IP50**

1.0/2.3

## TECHNICAL DATA

ELECTRICAL DATA	REQUIREMENTS
Impedance	50 $\Omega$
Frequency range	DC ... 4 GHz
Dielectric withstanding voltage (at sea level)	750 V rms, 50 Hz (depending on cable)
Working voltage (at sea level)	250 V rms, 50 Hz (depending on cable)
Insulation resistance	$\geq$ 200 M $\Omega$
Contact resistance	
- centre contact	$\leq$ 10 m $\Omega$
- outer contact	$\leq$ 3 m $\Omega$

MECHANICAL DATA	REQUIREMENTS
Engagement force	$\leq$ 10 N / 2.3 lbs
Disengagement force	$\leq$ 10 N / 2.3 lbs
Contact captivation	$\geq$ 10 N
Cable retention force <sup>1)</sup>	see pages 28 - 34
Durability (matings)	$\geq$ 500

1) Value considers maximum load of the cables without irreversible variations of specifications.

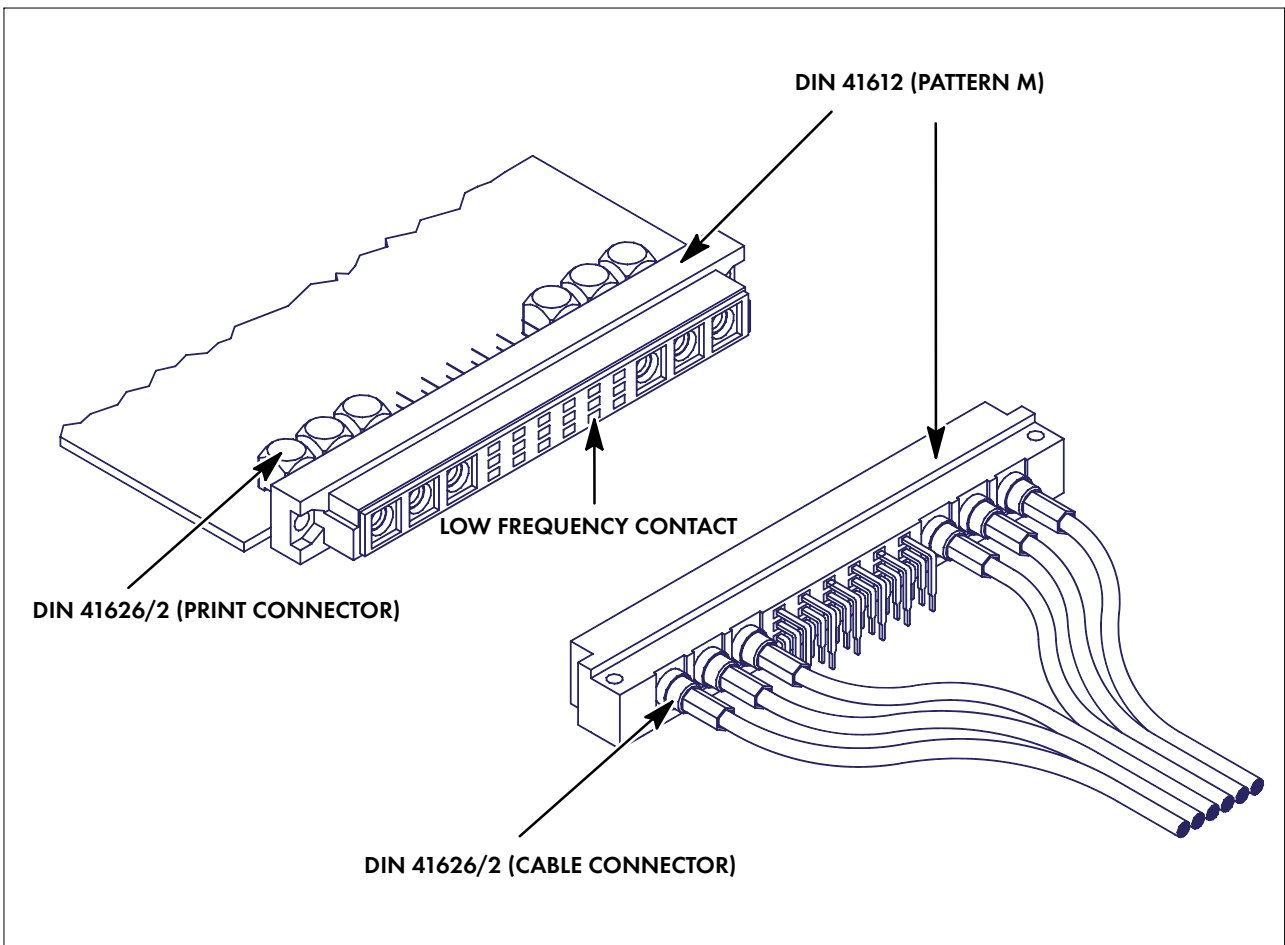
ENVIRONMENTAL DATA	TEST CONDITIONS
Temperature range	- 55°C ... + 125°C / - 67 °F ... + 257 °F
Climatic category	IEC $\rightarrow$ 50/125/56
Moisture resistance	MIL-STD-202, Method 106
Corrosion	Saltspray test acc. to MIL-STD-202, Method 101, Condition B
Vibration	MIL-STD-202, Method 204, Condition A

MATERIAL DATA		
CONNECTOR PARTS	MATERIAL	PLATING
Bodies	brass	SUCOPLATE® / gold
Outer contacts	copper-beryllium alloy, brass	gold / SUCOPRO
Pin contacts	brass	gold / SUCOPRO
Socket contacts	copper-beryllium alloy	gold / SUCOPRO
Crimp ferrules	copper	SUCOPLATE® / gold
Insulators	PTFE or PFA	

Some connectors may have a specification that differs from the above mentioned data.

The products are designed and guaranteed to pass the above mentioned test procedures. Any additional or different requirement arising from specific applications or environmental conditions which is not covered by these test procedures is subject to request.

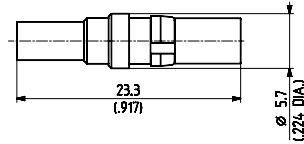
### Typical application



## CABLE CONNECTORS

### Straight cable plugs (male)

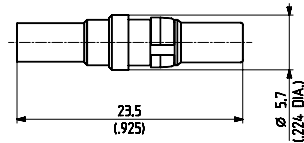
- > HUBER+SUHNER® full crimp
- > removal tool see page 392



HUBER+SUHNER type	Item no.	Cable group (example)	Packaging	Assembly instruction	Crimp insert
11_1023-C50-2-2/111_NE	22648559	U4 (K 02252 D)	single	9191	1 A
11_1023-C50-2-2/111_NH	22649631	U4 (K 02252 D)	bulk 100 pcs.	9191	1 A
11_1023-C50-2-3/111_NE	22648780	U2 (RG 316/U)	single	9191	1 A
11_1023-C50-2-3/111_NH	22649007	U2 (RG 316/U)	bulk 100 pcs.	9191	1 A

### Straight cable jacks (female)

- > HUBER+SUHNER® full crimp
- > removal tool see page 392

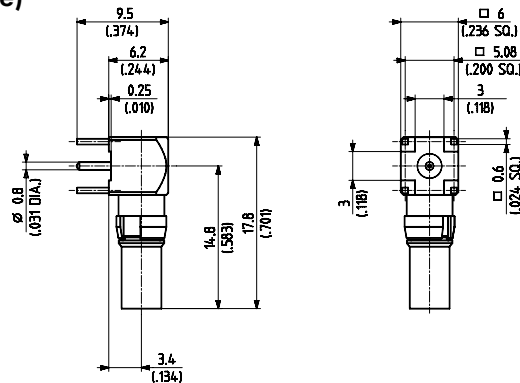


HUBER+SUHNER type	Item no.	Cable group (example)	Packaging	Assembly instruction	Crimp insert
21_1023-C50-2-2/111_NE	22648560	U4 (K 02252 D)	single	9191	1 A
21_1023-C50-2-3/111_NE	22648790	U2 (RG 316/U)	single	9191	1 A

## PCB CONNECTORS

### Right angle PCB jacks (female)

- > removal tool see page 392



HUBER+SUHNER type	Item no.	Packaging	Mounting hole	Notes
85_1023-C50-0-1/111_NE	22648561	single	ML 15	